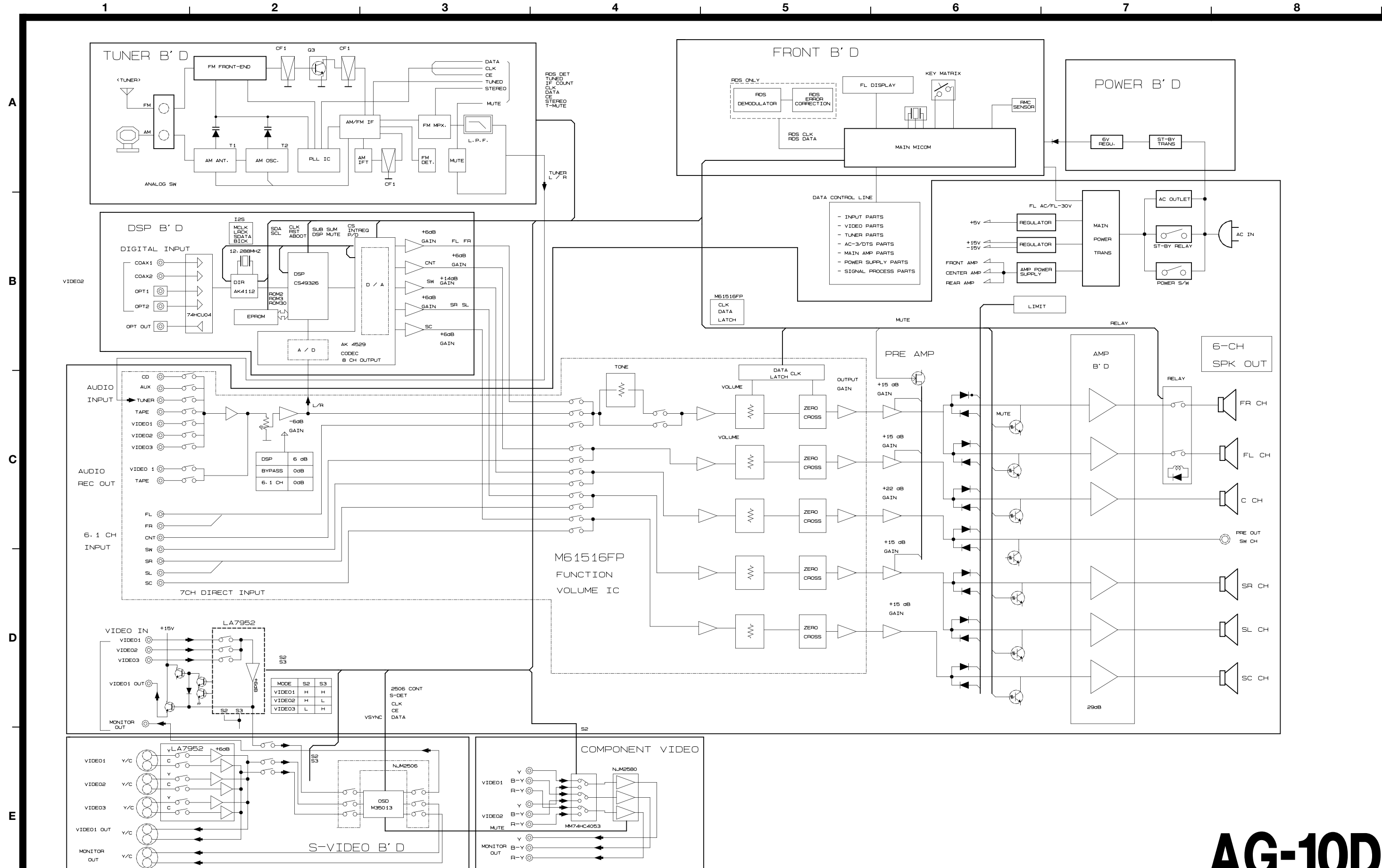


TEAC BLOCK DIAGRAM AG-10D

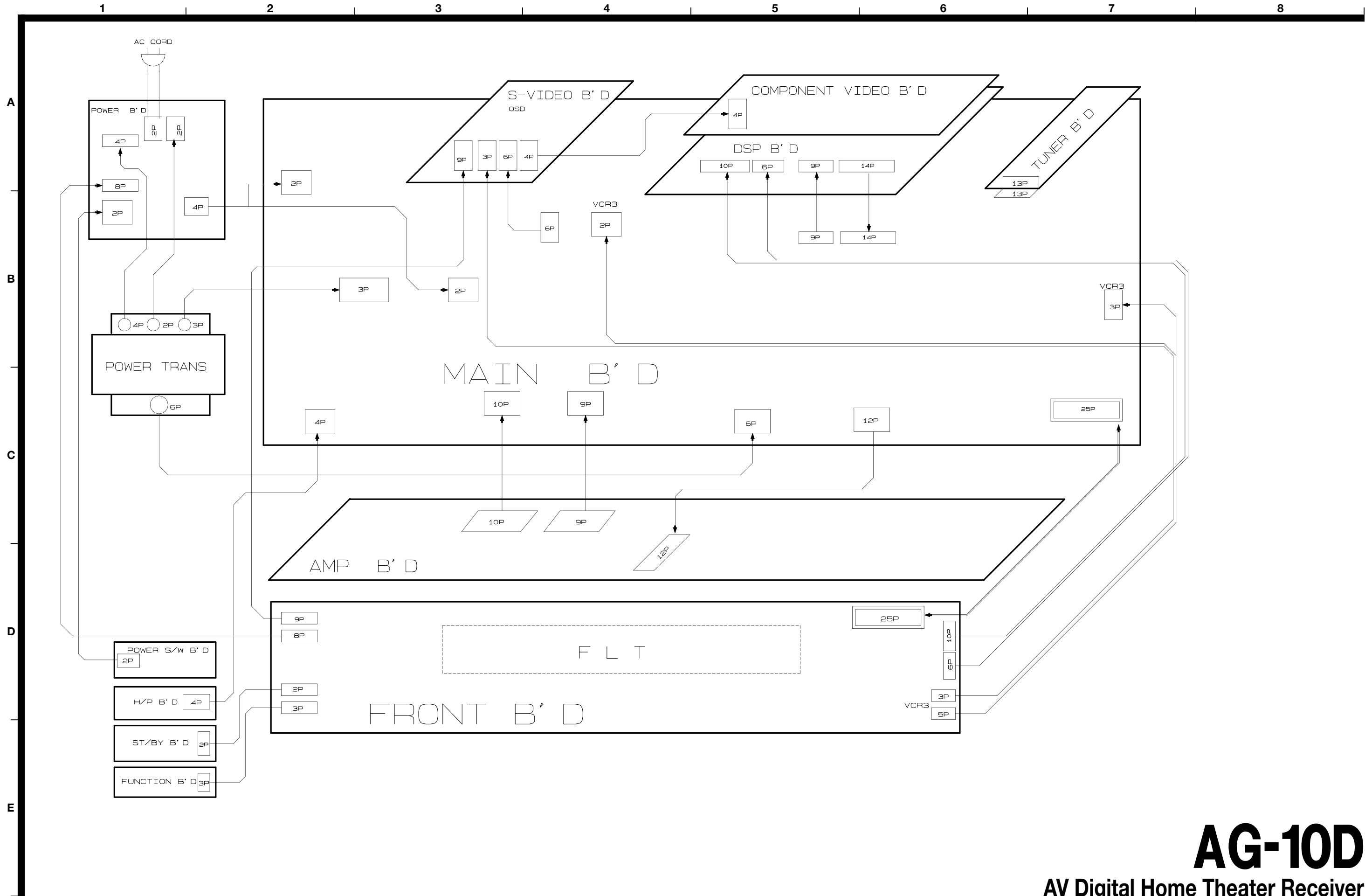


AG-10D

AV Digital Home Theater Receiver

1st Issue; December 2003

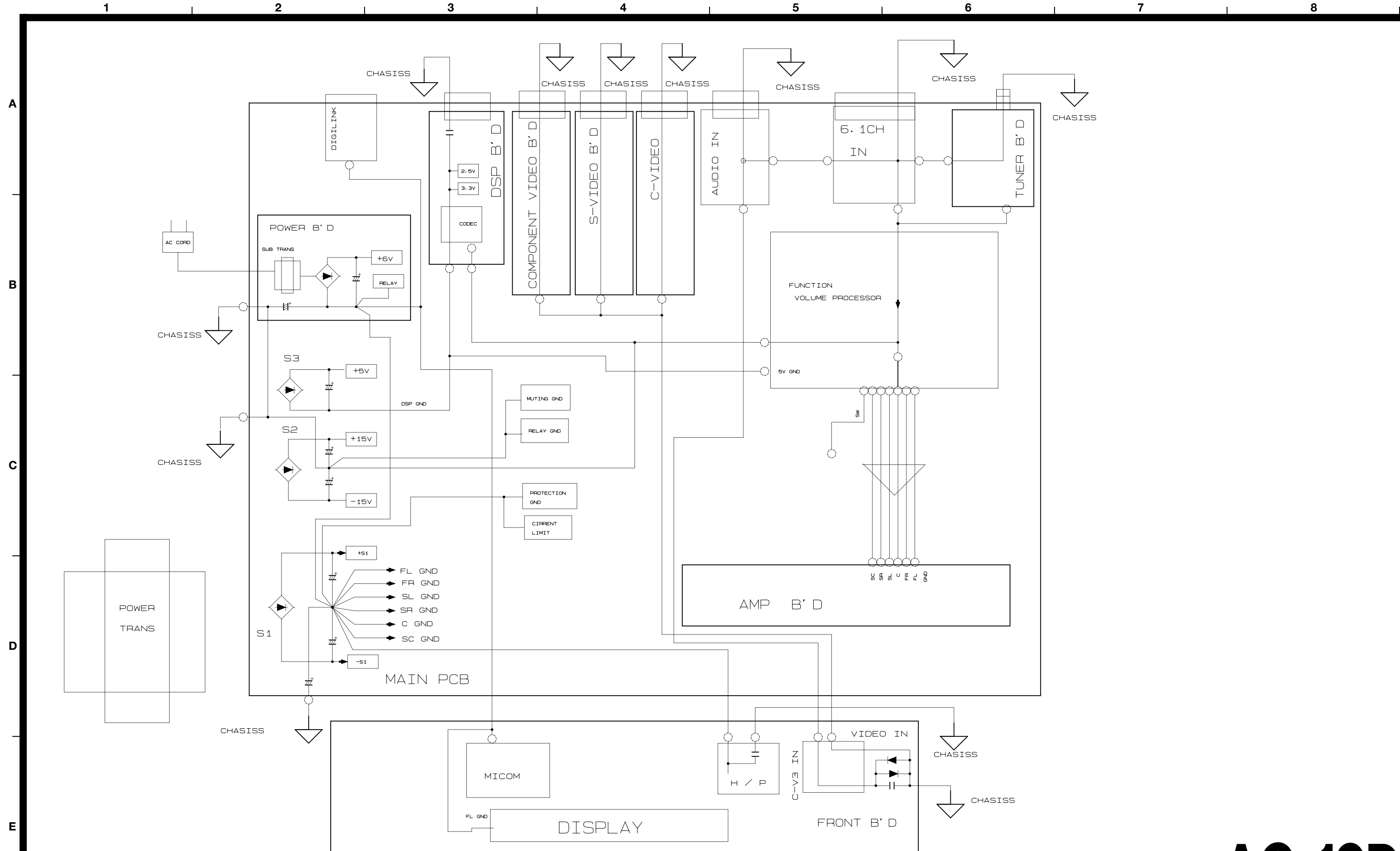
TEAC WIRING DIAGRAM AG-10D



AG-10D

AV Digital Home Theater Receiver

1st Issue; December 2003

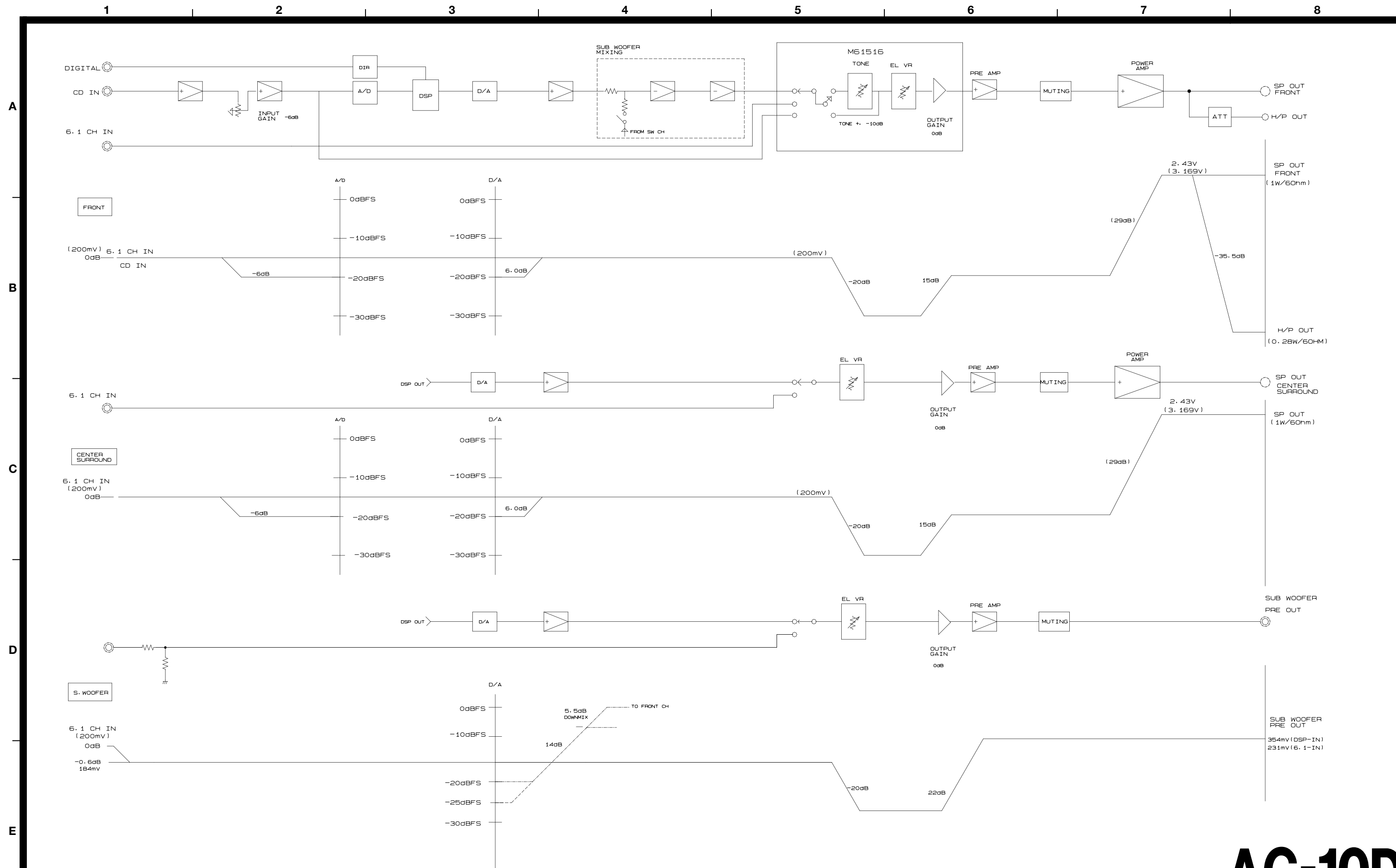


AG-10D

AV Digital Home Theater Receiver

1st Issue; December 2003

TEAC LEVEL DIAGRAM AG-10D



TEAC SCHEMATIC DIAGRAM AG-10D MAIN PCB (1/2)

1 2 3 4 5 6 7 8

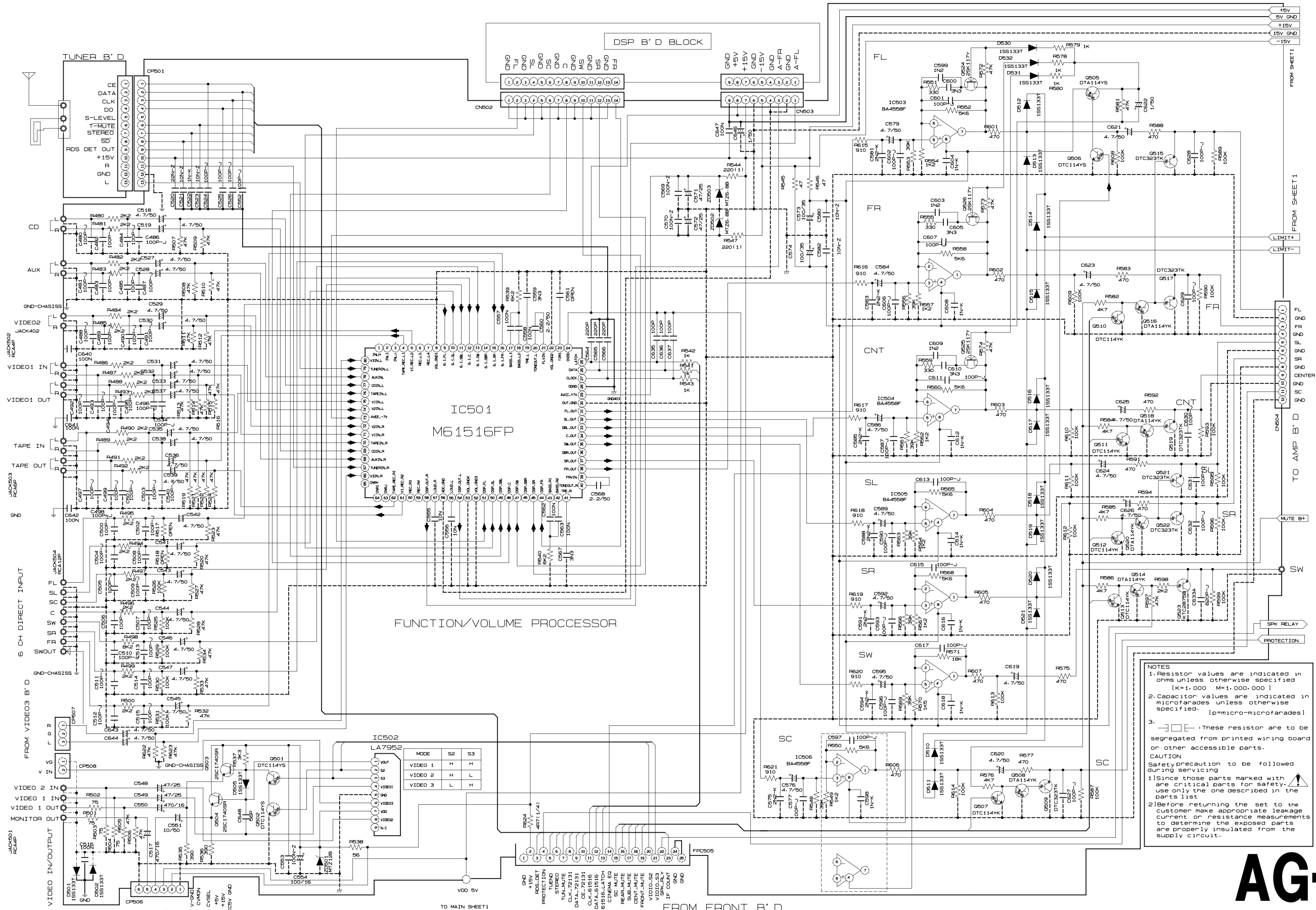
A

B

C

D

E



NOTES

- Resistor values are indicated in ohms unless otherwise specified [k=1,000 M=1,000,000]
- Capacitor values are indicated in microfarads unless otherwise specified. [p=micro-microfarads]
- These resistors are to be segregated from printed wiring board or other accessible parts.

CAUTION
Safety precaution to be followed during servicing

- Since those parts marked with are critical parts for safety, use only the one described in the parts list.
- Before returning the set to the customer make appropriate leakage current or resistance measurements to determine the exposed parts are properly insulated from the supply circuit.

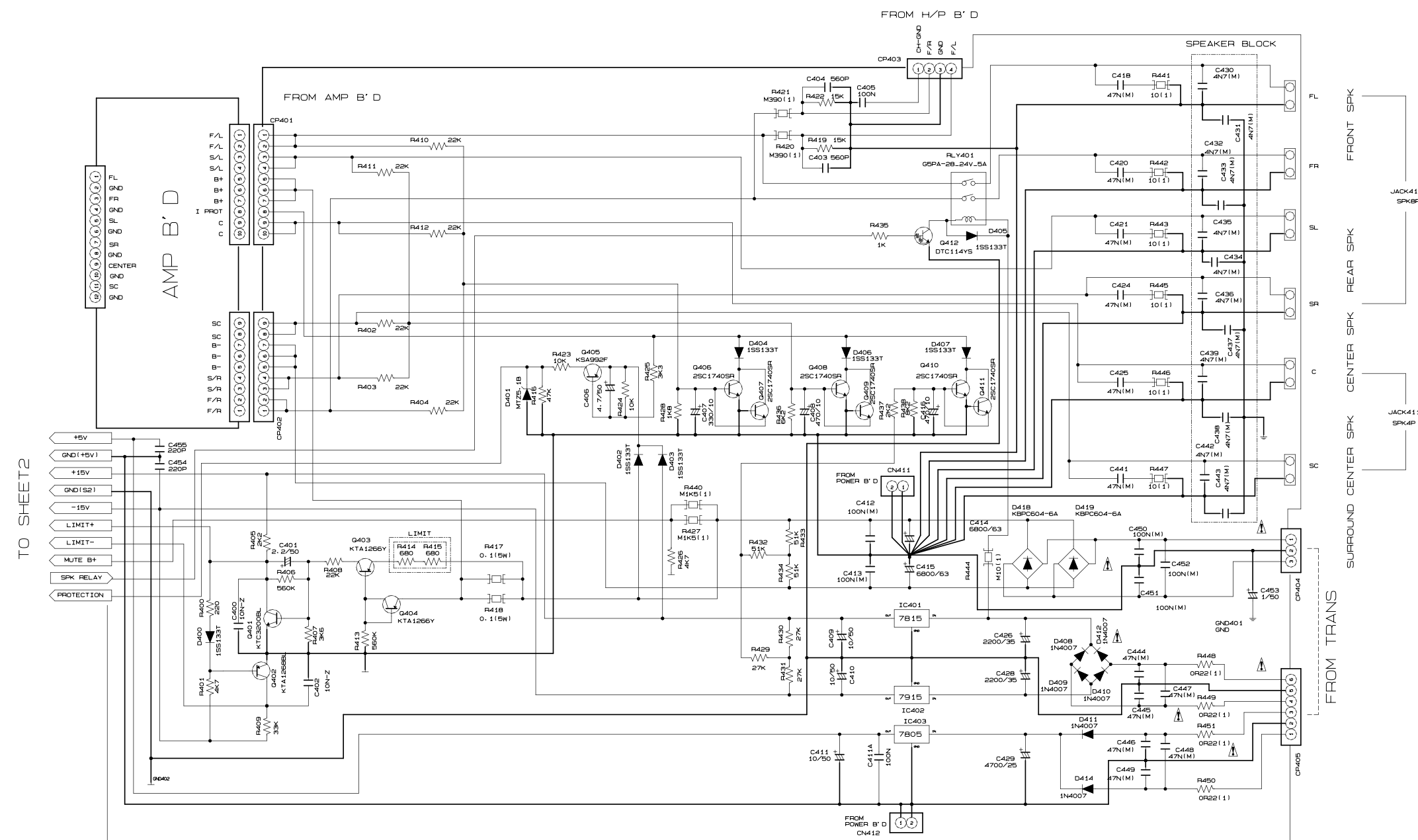
AG-10D

AV Digital Home Theater Receiver

1st Issue; December 2003

1 2 3 4 5 6 7 8

A
B
C
D
E

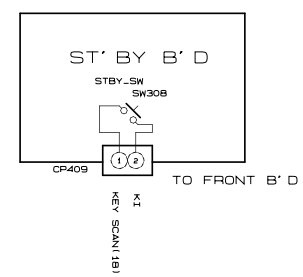
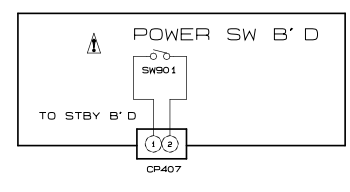
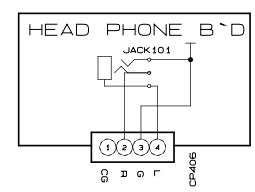


NOTES

1. Resistor values are indicated in ohms unless otherwise specified [K=1,000 M=1,000,000]
2. Capacitor values are indicated in microfarads unless otherwise specified. [p=micro-microfarads]
3. These resistor are to be segregated from printed wiring board or other accessible parts.

CAUTION
Safety precaution to be followed during servicing

- 1) Since those parts marked with are critical parts for safety, use only the one described in the parts list
- 2) Before returning the set to the customer make appropriate leakage current or resistance measurements to determine the exposed parts are properly insulated from the supply circuit.



TEAC SCHEMATIC DIAGRAM AG-10D S-VIDEO PCB, COMPONENT PCB

1 2 3 4 5 6 7 8

A

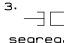
B

C

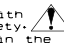
D

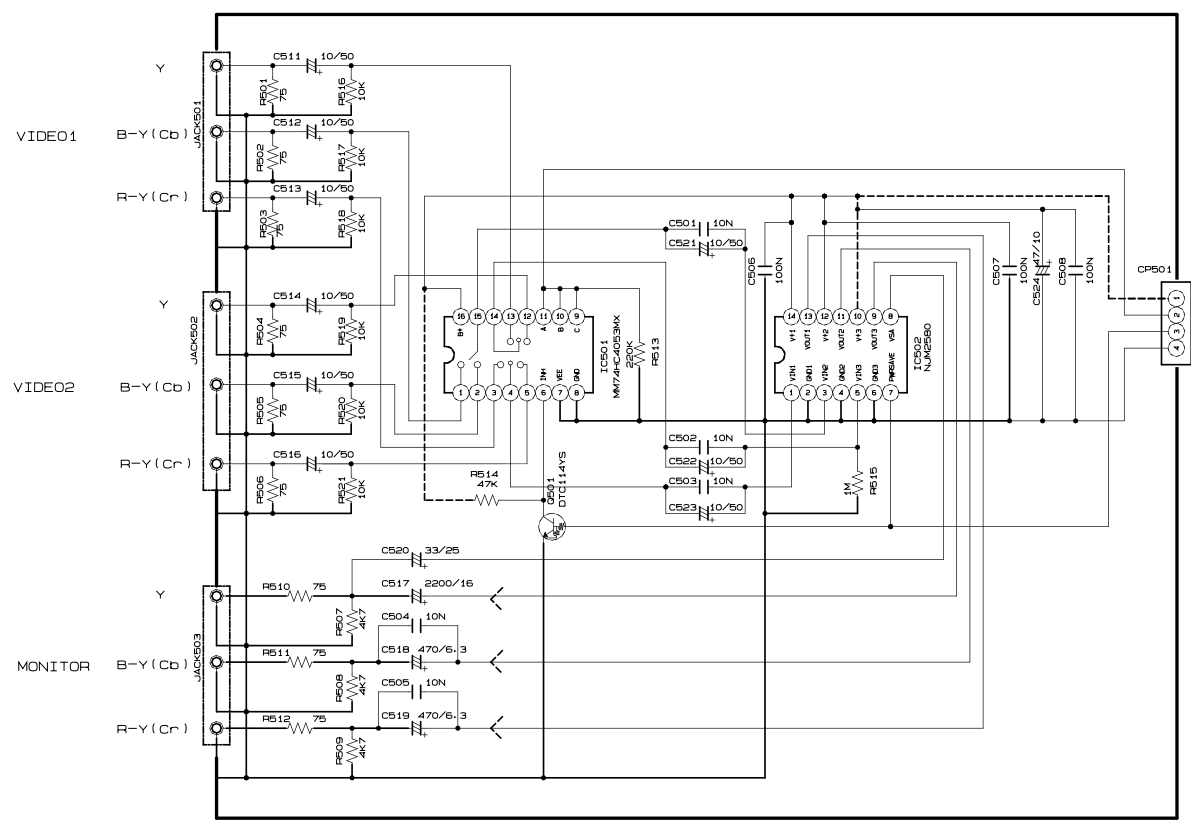
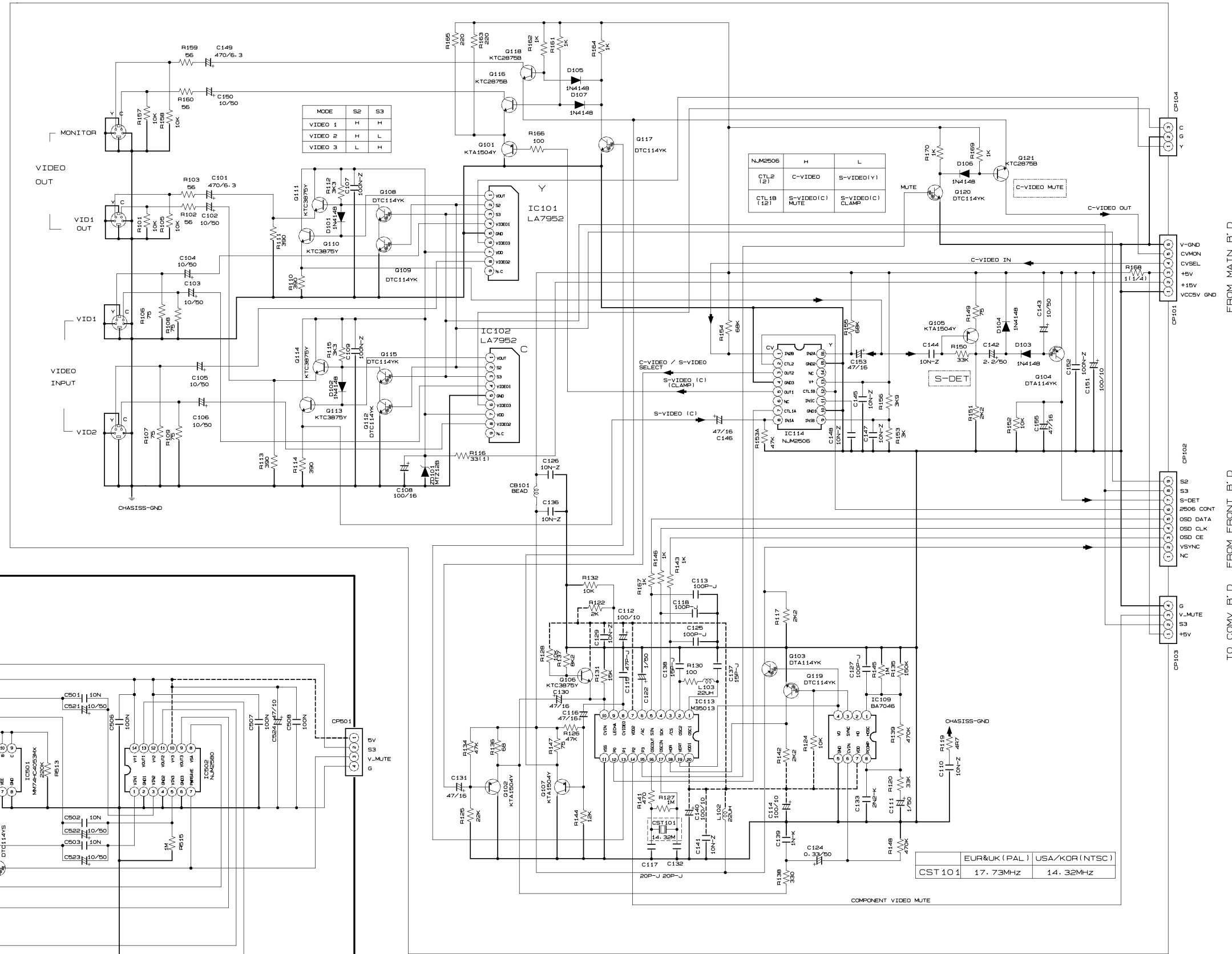
E

NOTES

1. Resistor values are indicated in ohms unless otherwise specified [K=1,000 M=1,000,000]
2. Capacitor values are indicated in microfarads unless otherwise specified. [p=micro-microfarads]
3.  These resistor are to be segregated from printed wiring board or other accessible parts.

CAUTION
Safety precaution to be followed during servicing

- 1) Since those parts marked with  are critical parts for safety, use only the one described in the parts list.
- 2) Before returning the set to the customer make appropriate leakage current or resistance measurements to determine the exposed parts are properly insulated from the supply circuit.



FROM MAIN B'D
TO COMV B'D FROM FRONT B'D

AG-10D

AV Digital Home Theater Receiver

1st Issue; December 2003

TEAC SCHEMATIC DIAGRAM AG-10D DSP PCB

1 2 3 4 5 6 7 8

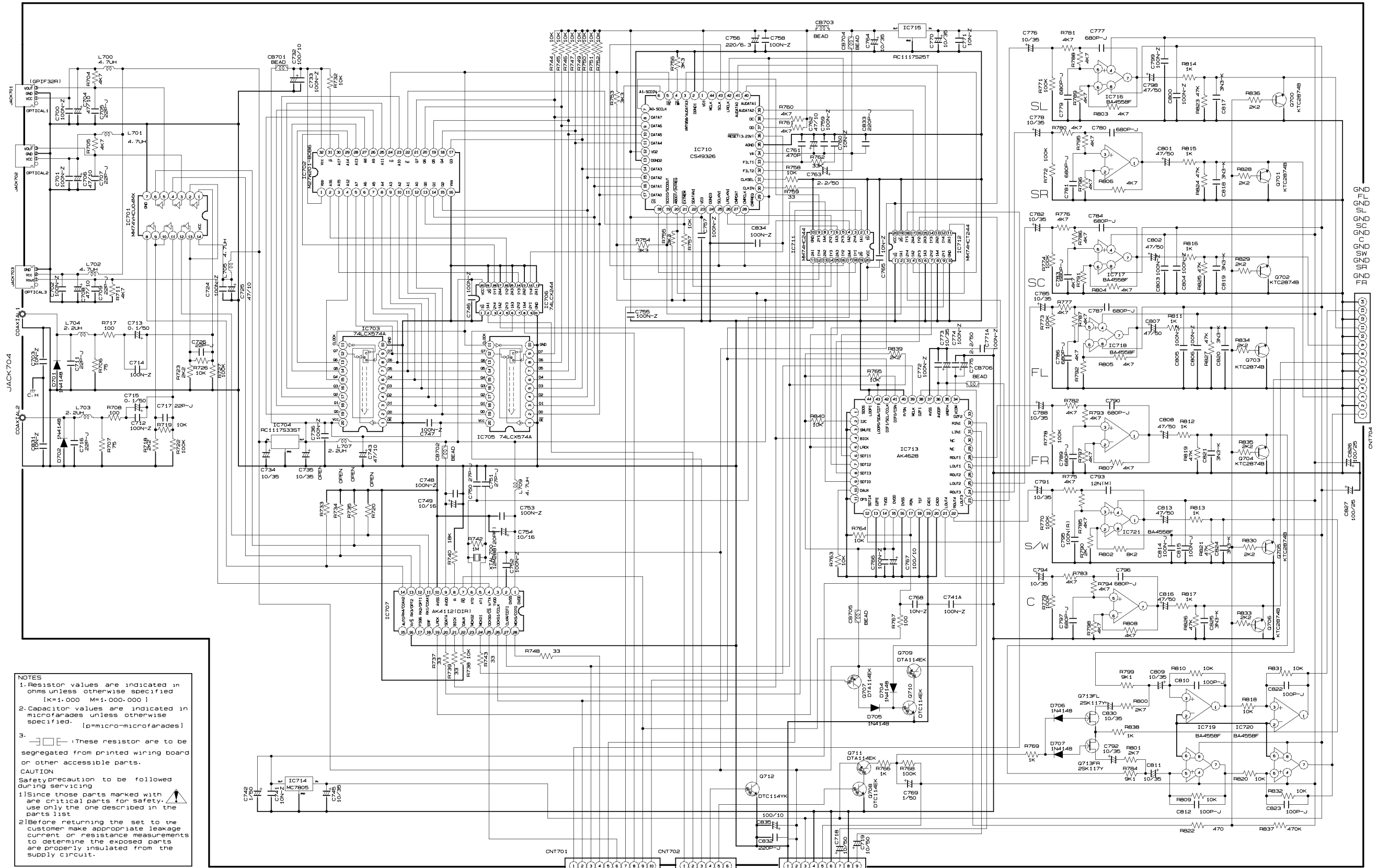
A

B

C

D

E



NOTES

- Resistor values are indicated in ohms unless otherwise specified. [K=1,000 M=1,000,000]
- Capacitor values are indicated in microfarads unless otherwise specified. [p=micro-microfarads]
- These resistor are to be segregated from printed wiring board or other accessible parts.

CAUTION
Safety precaution to be followed during servicing

- Since those parts marked with are critical parts for safety, use only the one described in the parts list.
- Before returning the set to the customer make appropriate leakage current or resistance measurements to determine the exposed parts are properly insulated from the supply circuit.



TEAC SCHEMATIC DIAGRAM AG-10D AMP PCB

1 2 3 4 5 6 7 8

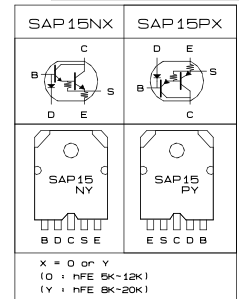
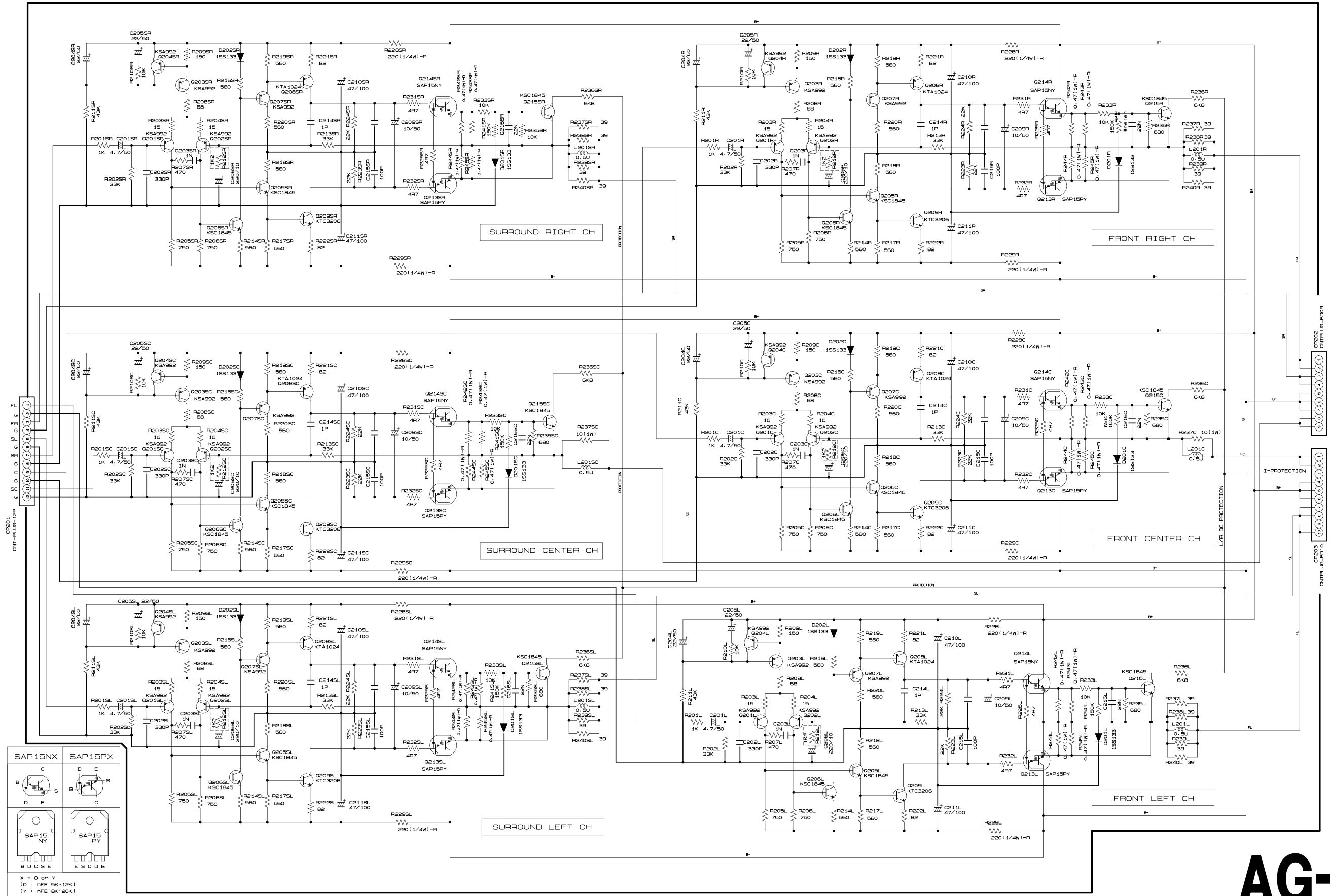
A

B

C

D

E



AG-10D

AV Digital Home Theater Receiver

1st Issue; December 2003

TEAC SCHEMATIC DIAGRAM AG-10D FRONT PCB, FUNCTION PCB

1 2 3 4 5 6 7 8

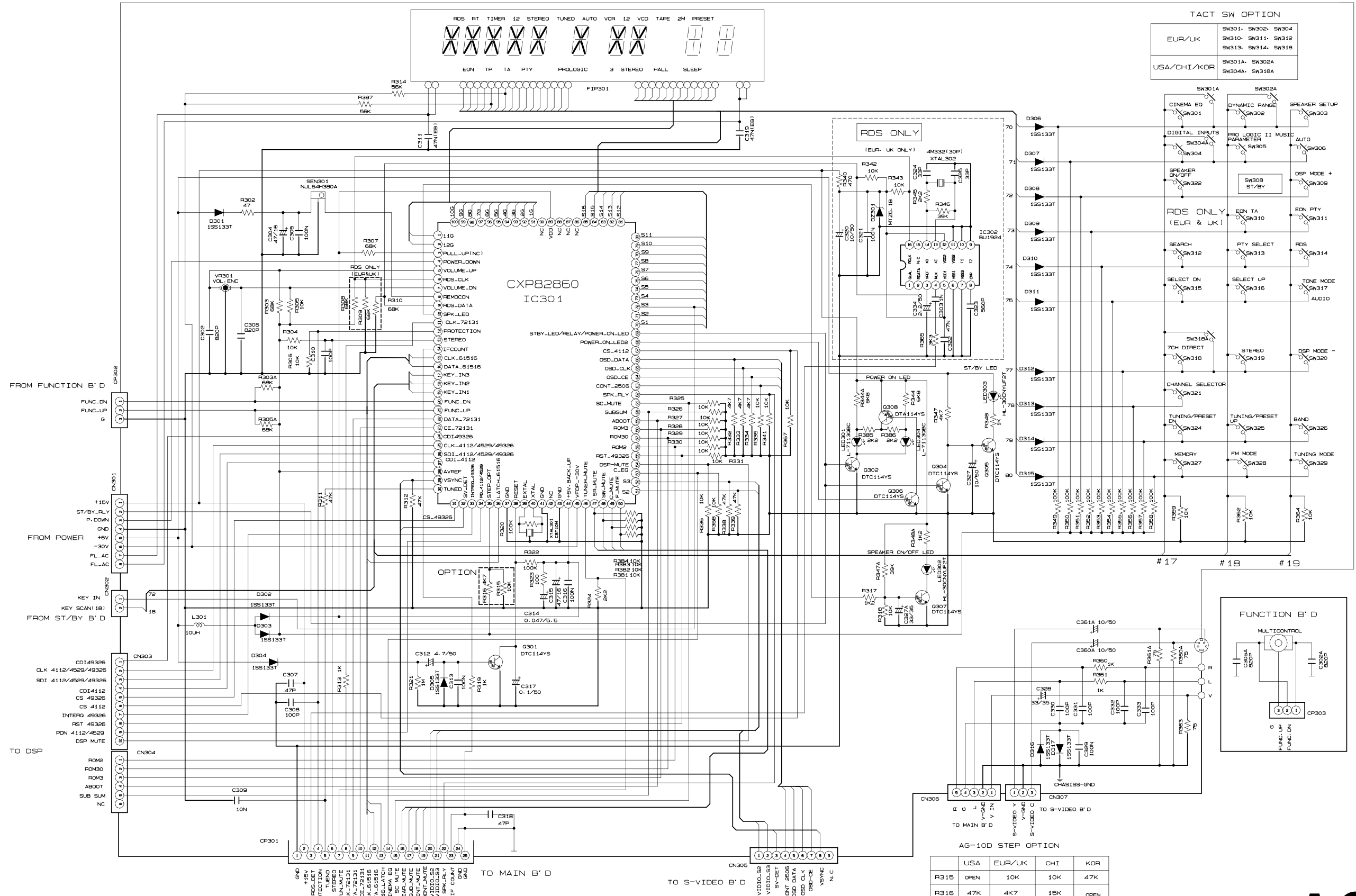
A

B

C

D

E



TACT SW OPTION

EUR/UK	SW301- SW302- SW304 SW310- SW311- SW312 SW313- SW314- SW318
USA/CHI/KOR	SW301A- SW302A SW304A- SW318A

AG-10D STEP OPTION

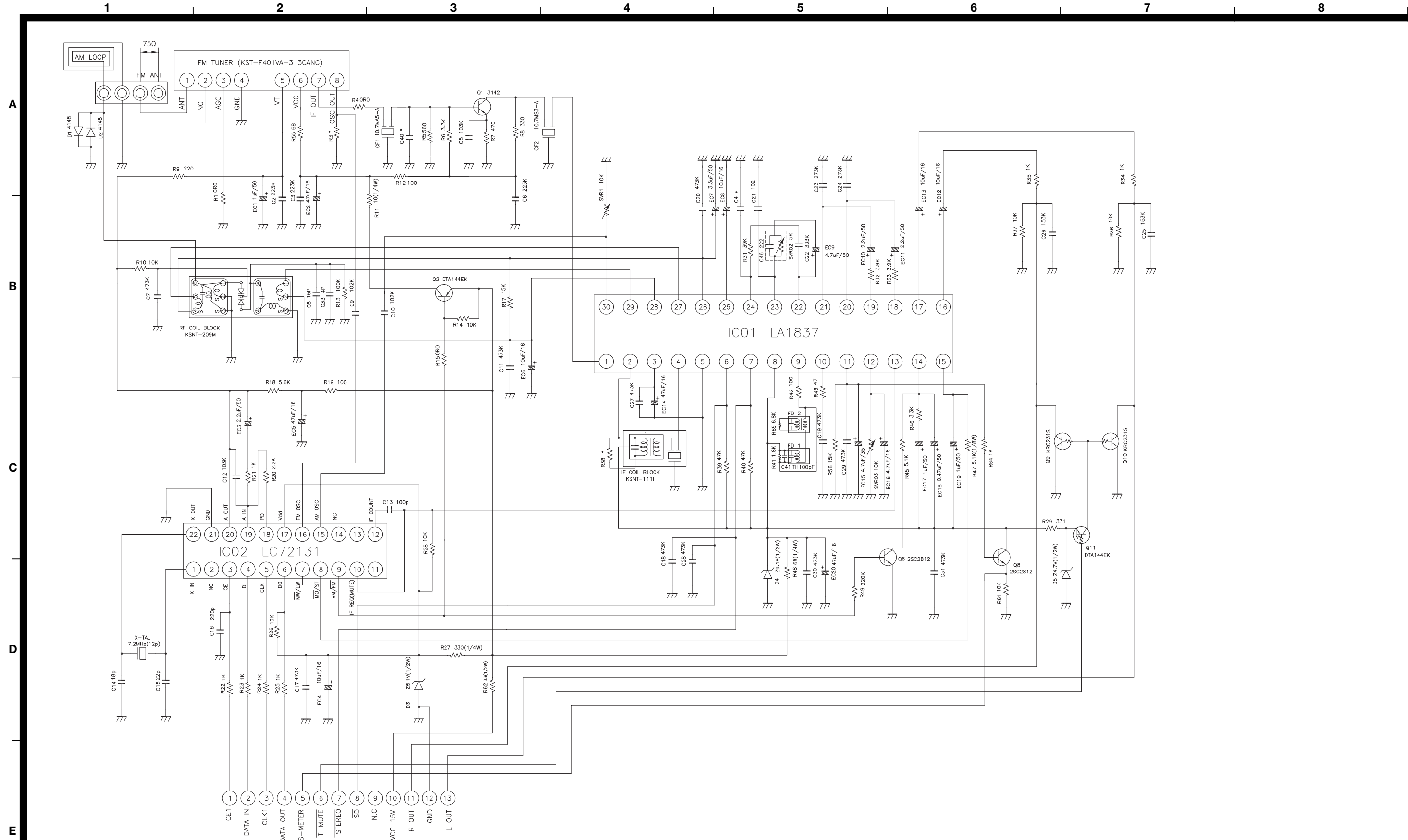
	USA	EUR/UK	CHI	KOR
R315	OPEN	10K	10K	47K
R316	47K (+5V)	4K7 (+3.4V)	15K (+2.0V)	OPEN

AG-10D

AV Digital Home Theater Receiver

1st Issue; December 2003

TEAC SCHEMATIC DIAGRAM AG-10D TUNER PCB [US, C]

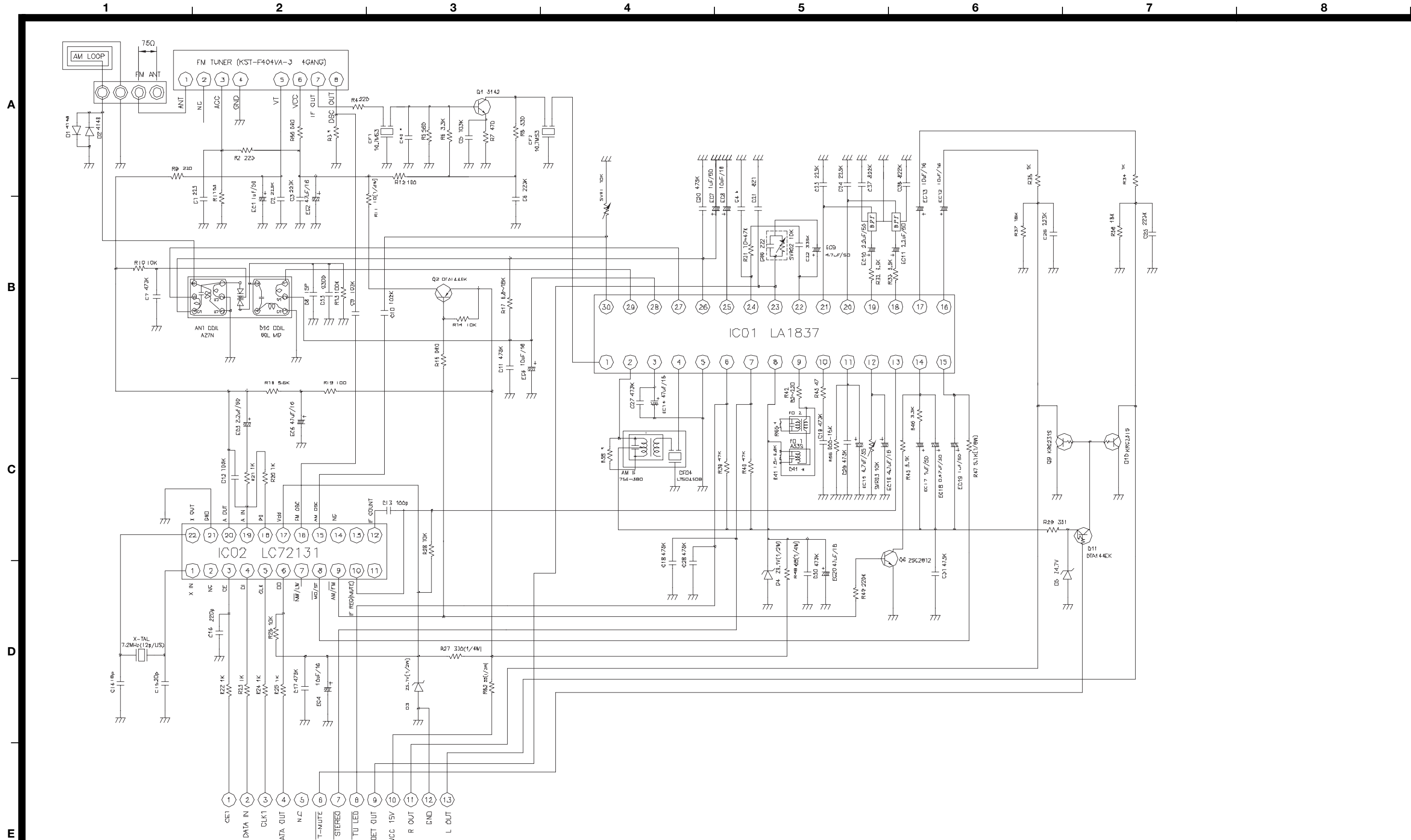


AG-10D

AV Digital Home Theater Receiver

1st Issue; December 2003

TEAC SCHEMATIC DIAGRAM AG-10D TUNER PCB [E, UK]

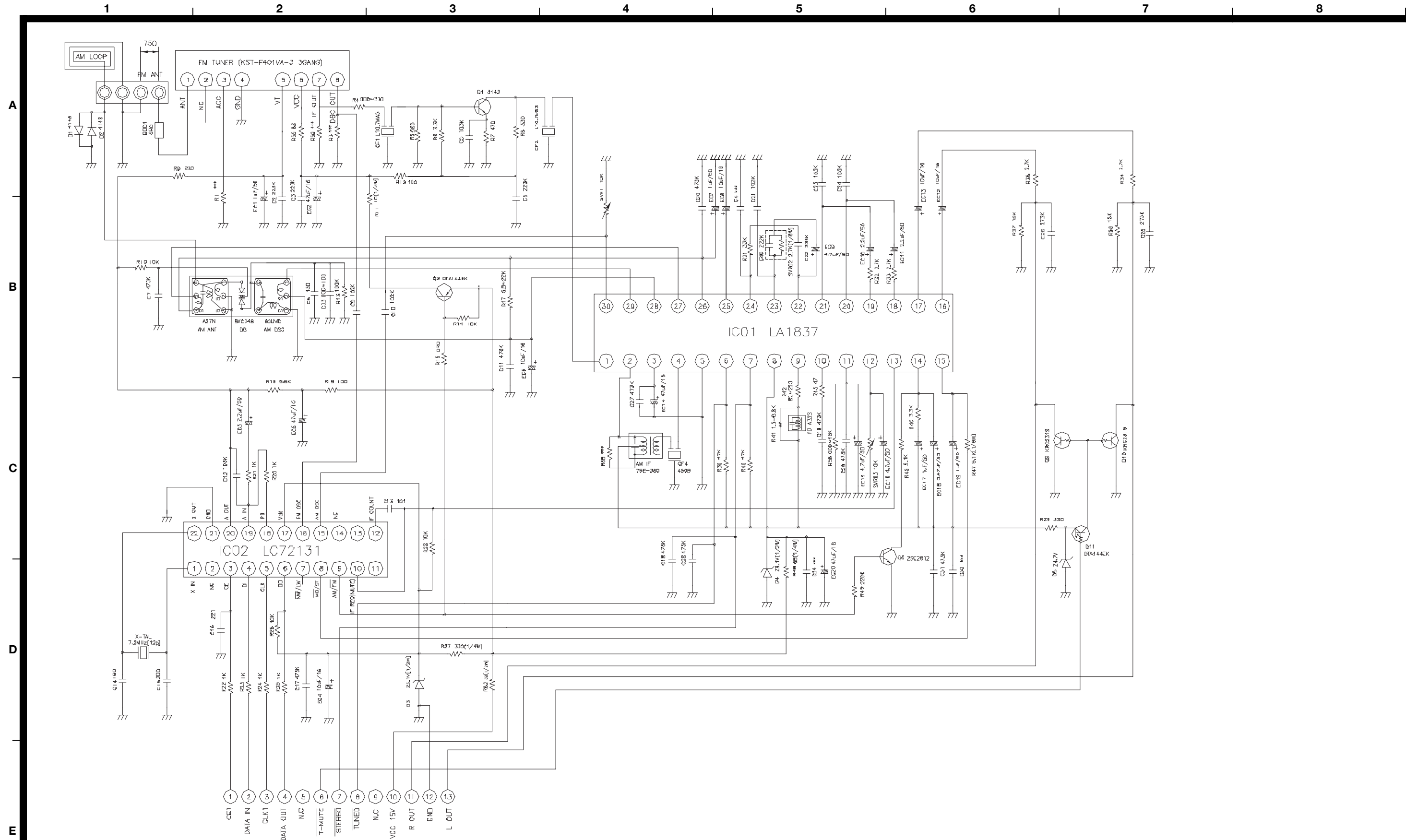


AG-10D

AV Digital Home Theater Receiver

1st Issue; December 2003

TEAC SCHEMATIC DIAGRAM AG-10D TUNER PCB [K]



AG-10D

AV Digital Home Theater Receiver

1st Issue; December 2003

TEAC SCHEMATIC DIAGRAM AG-10D POWER PCB

1 2 3 4 5 6 7 8

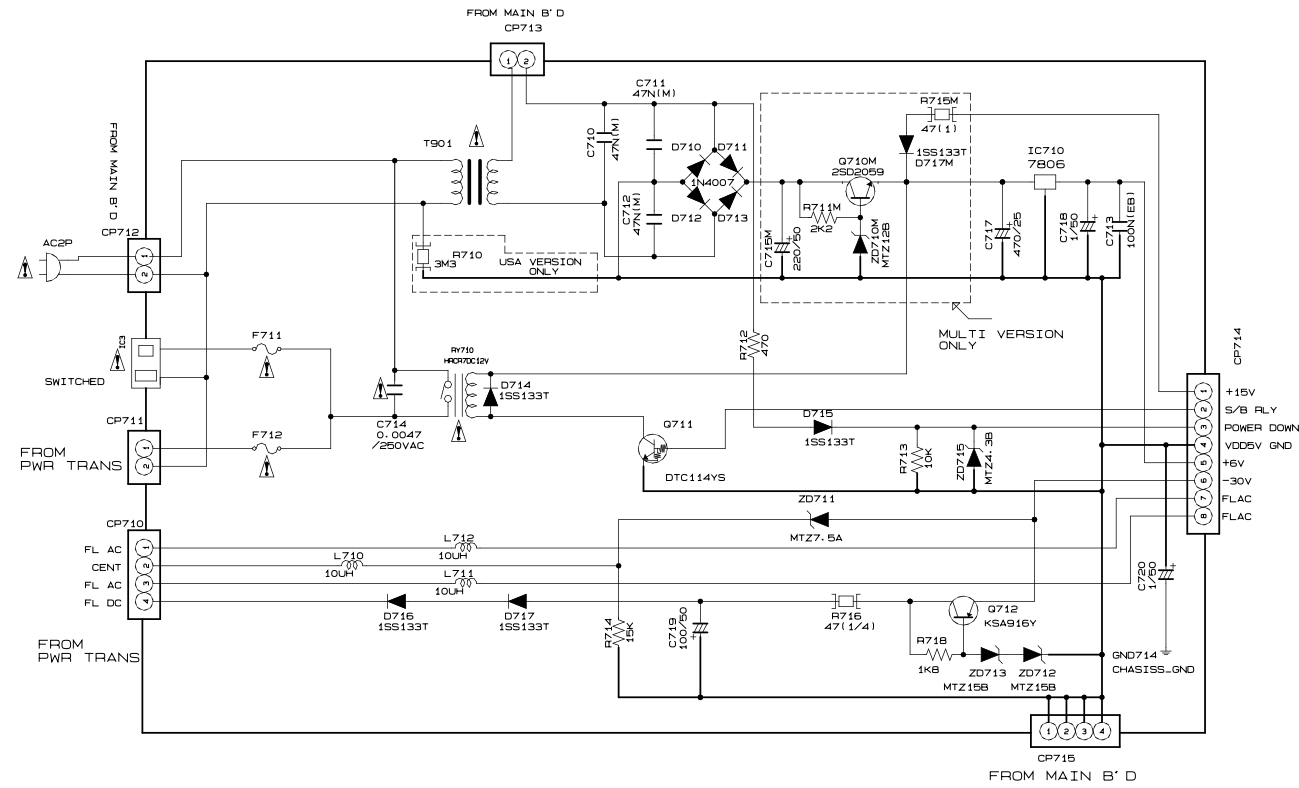
A

B

C

D

E



NOTES

1. Resistor values are indicated in ohms unless otherwise specified [K=1,000 M=1,000,000]
2. Capacitor values are indicated in microfarads unless otherwise specified. [p=micro-microfarads]
3. These resistor are to be segregated from printed wiring board or other accessible parts.

CAUTION
Safety precaution to be followed during servicing

- 1) Since those parts marked with are critical parts for safety, use only the one described in the parts list.
- 2) Before returning the set to the customer make appropriate leakage current or resistance measurements to determine the exposed parts are properly insulated from the supply circuit.

AREA	F712	F711
USA	T6.3AL / 250V	T2.5AL / 250V
EUR CHINA KOREA	T4AL / 250V	T2.5AL / 250V
UK	T4AL / 250V	—

INSTRUCTIONS FOR SERVICE PERSONNEL
BEFORE RETURNING APPLIANCE TO THE CUSTOMER, MAKE LEAKAGE-CURRENT OR RESISTANCE MEASUREMENTS TO DETERMINE THAT EXPOSED PARTS ARE ACCEPTABLY INSULATED FROM THE SUPPLY CIRCUIT.